

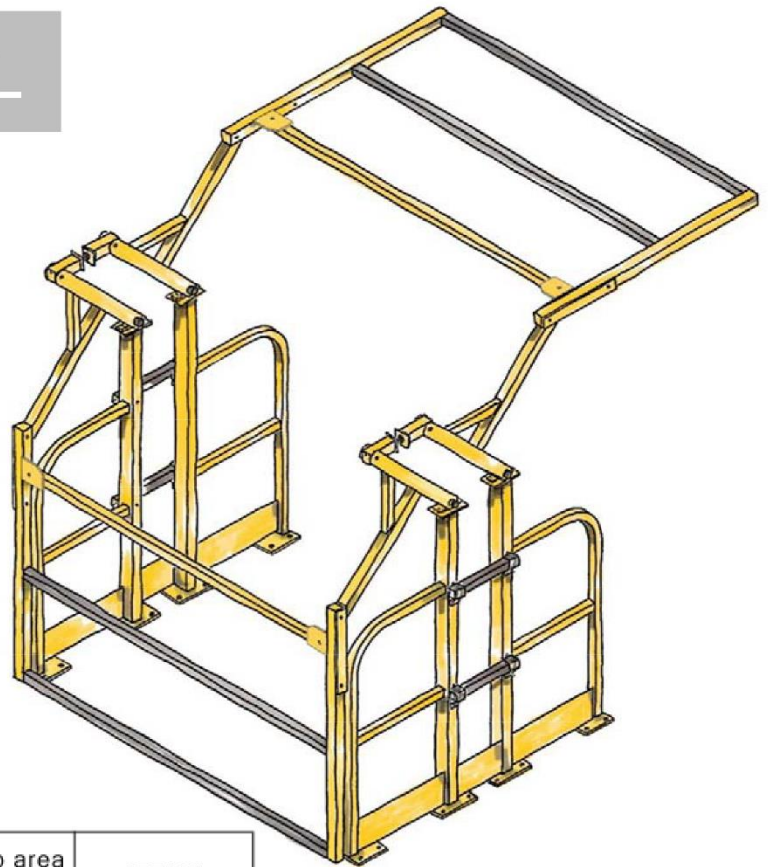
# INSTALLATION MANUAL

Patent Pending

For the most current release of this manual,

please visit our website at [cogan.com](http://cogan.com)

V.2014.1



Drop area (W' X D')	ITEM#	Drop area (W' X D')	ITEM#	Drop area (W' X D')	ITEM#
5' x 5'	MG55	8' x 5'	MG85	11' x 5'	MSPG115
5' x 6'	MG56	8' x 6'	MG86	11' x 6'	MSPG116
5' x 7'	MG57	8' x 7'	MG87	11' x 7'	MSPG117
5' x 8'	MG58	8' x 8'	MG88	11' x 8'	MSPG118
6' x 5'	MG65	9' x 5'	MSPG95	12' x 5'	MSPG125
6' x 6'	MG66	9' x 6'	MSPG96	12' x 6'	MSPG126
6' x 7'	MG67	9' x 7'	MSPG97	12' x 7'	MSPG127
6' x 8'	MG68	9' x 8'	MSPG98	12' x 8'	MSPG128
7' x 5'	MSPG75	10' x 5'	MG105	13' x 5'	MSPG135
7' x 6'	MSPG76	10' x 6'	MG106	13' x 6'	MSPG136
7' x 7'	MSPG77	10' x 7'	MG107	13' x 7'	MSPG137
7' x 8'	MSPG78	10' x 8'	MG108	13' x 8'	MSPG138

Custom sizes are also available.

<b>Product</b>	Pre-Engineered Floor Decking System
<b>Sub-product</b>	Safety pivot gate

- Fully enclosed workstation to increase safety when loading and offloading.
- Strong and balances construction allows quick and safe access by forklift.
- Allows materials of up to 74" height in the drop area.



A Tradition of Quality Since 1901

[cogan.com](http://cogan.com)

## TOOLS

Measuring tape

Chalk line

Hammer

4ft Level

Hammer drill with  $\phi 1/4$ " drill bit

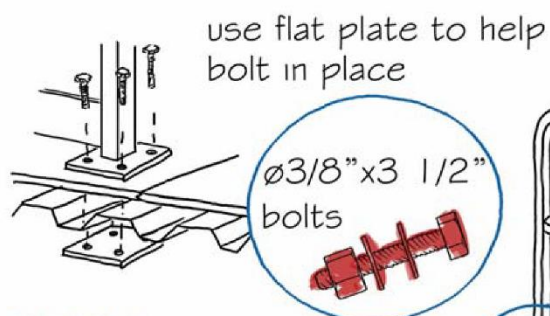
Reversible drill with  $3/8$ " hex head bit

Safety glasses

**TO ENSURE PROPER OPENING AND INSTALLATION OF THE SAFETY PIVOT GATES, CENTER TO CENTER SPACING OF THE HANDRAILS IS CRITICAL AND MUST BE RESPECTED BY +/- 1/8"**

### STEP 1 CENTERLINES

Using a chalk line, mark out the centerlines of each baseplate (refer to installation drawings)

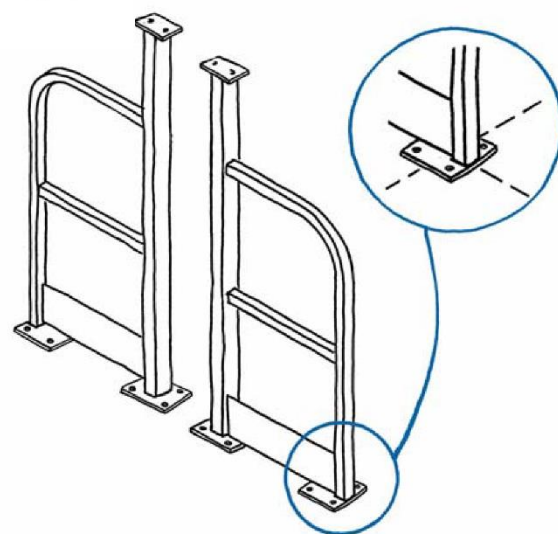
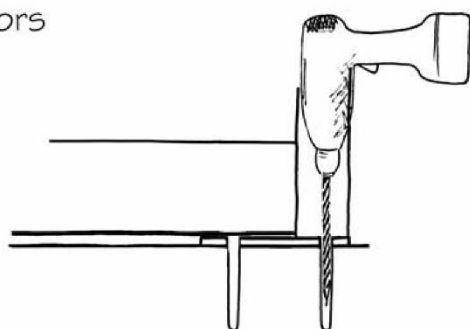


### STEP 2 ANCHORS

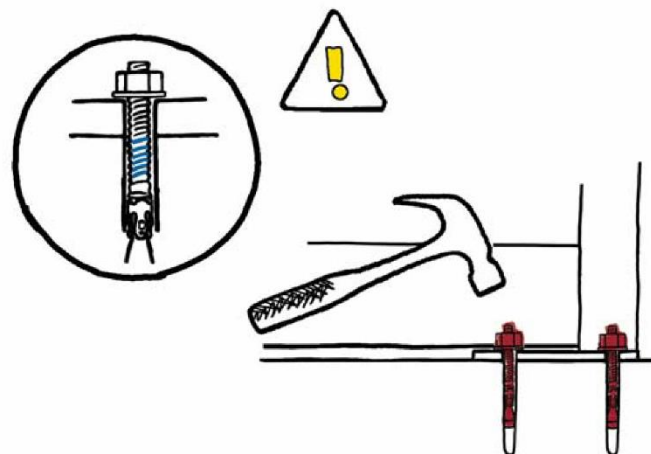
Once handrails are properly in place, anchor or bolt the baseplates to the floor (depending on the flooring, see installation drawings for details)



Hammer drill a hole same nominal diameter and at least as deep as the length of anchors



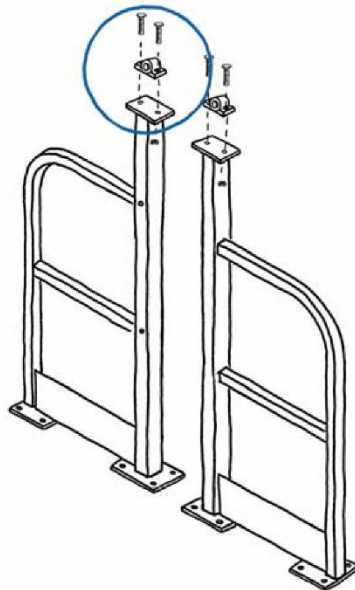
Drive the hilti bolt in the hole so that at least **6 threads** are below the top surface of baseplates. Then tighten to the recommended torque value to achieve proper anchor setting



### STEP 3 PILLOW BLOCKS

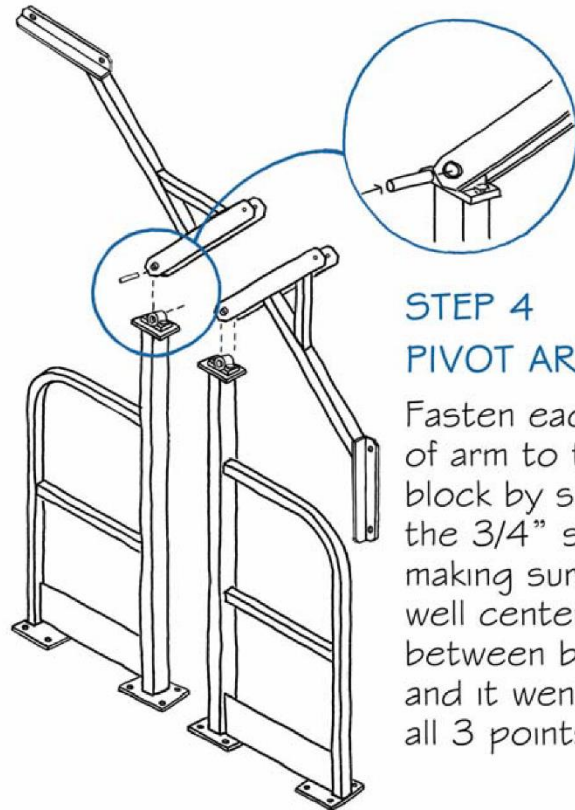
Attach pillow blocks on top plate of each handrail post.

$\varnothing 3/8$ " x  $1 3/4$ "  
hex bolt



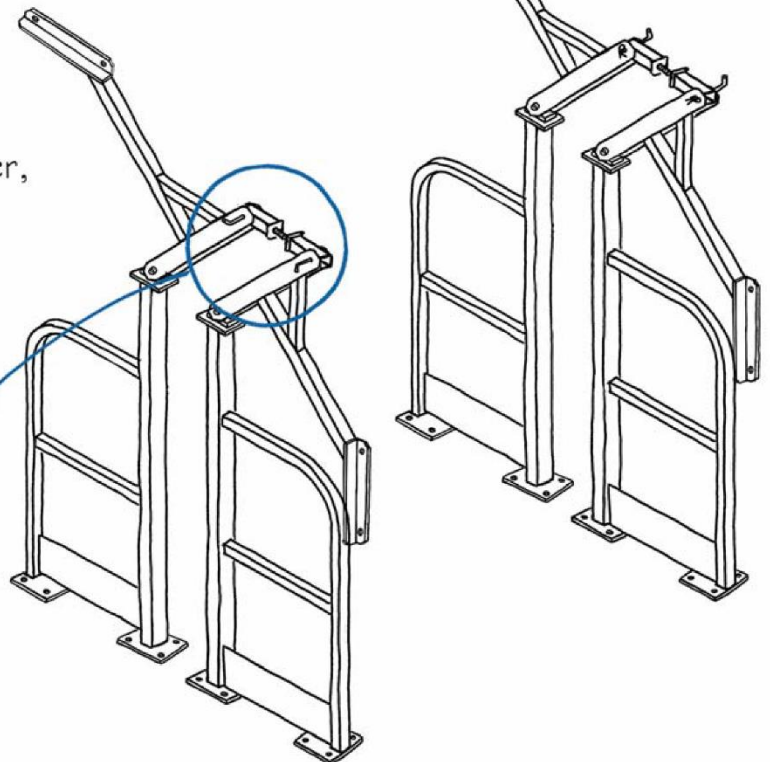
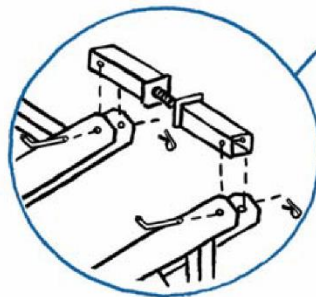
### STEP 4 PIVOT ARMS

Fasten each side of arm to the pillow block by sliding in the  $3/4$ " shaft by making sure it is well centered in between both parts and it went through all 3 points.



### STEP 5 CONNECTING TUBE

Insert both connecting tubes with it's adjustable threaded rod in between arm plates to attach both arms together, then slide in the  $1/2$ " pin to secure it.



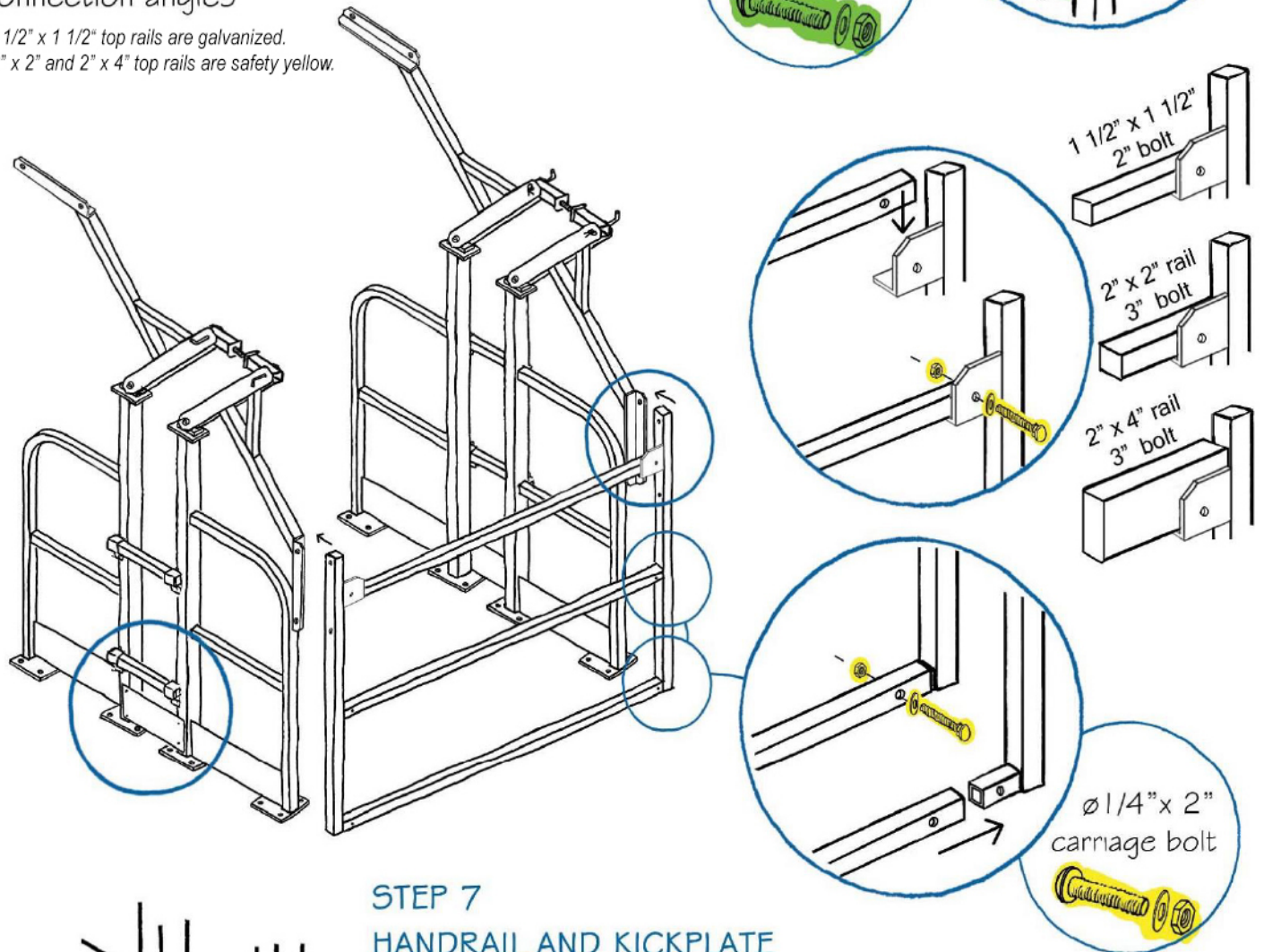
## STEP 6 GATES

Slide the 2 galvanized rails in the gate post sleeve, then secure each rail using  $\varnothing 1/4"$  x 2" carriage bolt.

Install the top rail\* in the receiving angle bracket using carriage bolts.

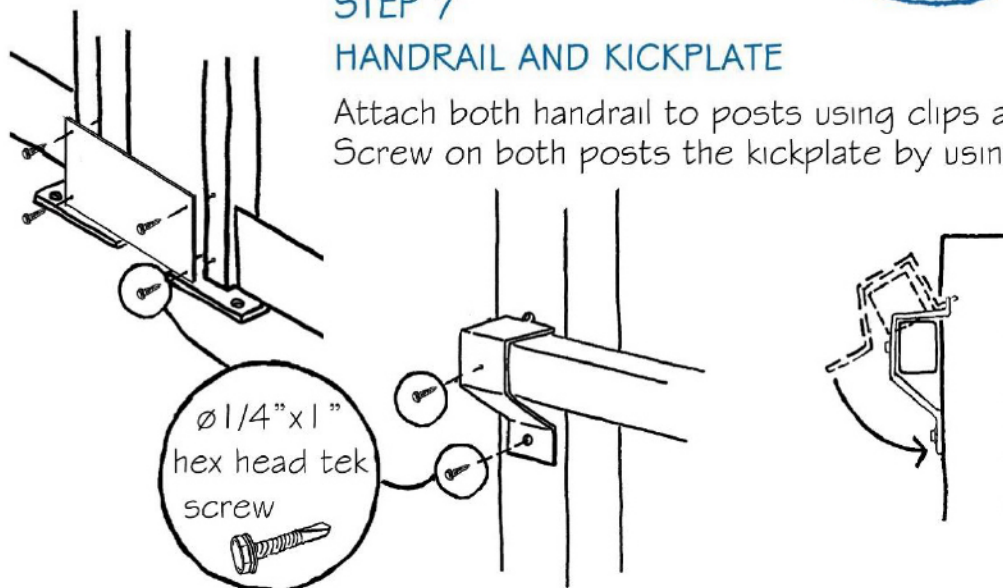
\*1 1/2" x 1 1/2" top rails are galvanized.

2" x 2" and 2" x 4" top rails are safety yellow.

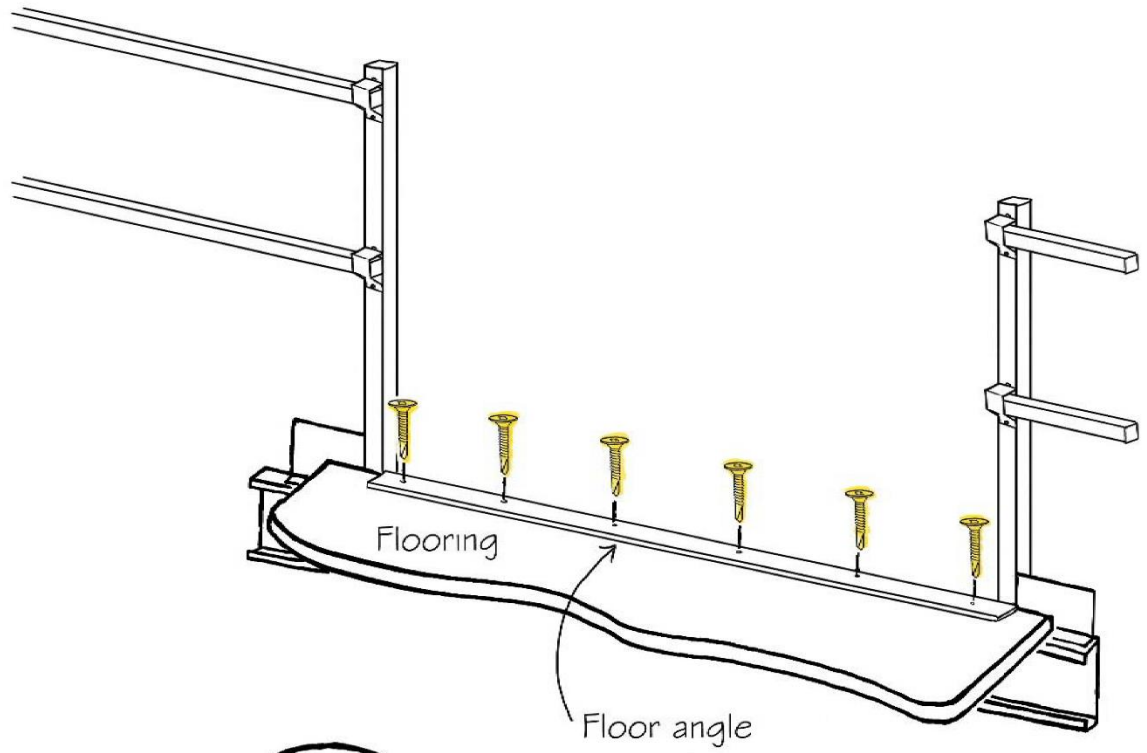


## STEP 7 HANDRAIL AND KICKPLATE

Attach both handrail to posts using clips and tek screw. Screw on both posts the kickplate by using 4 tek screw.

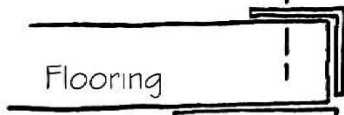


STEP 8  
NOSING



Floor angle 2"x2"  
(typical for all gates)

Ø 1/4"x2" flat  
head tek screw



SIDE VIEW

## MATERIAL

- ALL GATE POSTS AND TUBES PART OF PIVOT ARMS ARE MADE OF SQUARE SEAM WELDED 2" X 2" X 16GA STRUCTURAL STEEL.
- ALL RAILS INCLUDED IN HANDRAIL SIDE FRAME SECTIONS AND THE 2 LOWER RAILS ON EACH GATE ARE MADE OF SQUARE SEAM WELDED 1 1/2" X 1 1/2" X 16GA STRUCTURAL STEEL.
- THE TOP RAIL ON EACH GATE ARE MADE OF SQUARE SEAM WELDED STRUCTURAL STEEL. 3 DIMENSIONS AVAILABLE BASED ON THE WIDTH: 1 1/2" X 1 1/2" X 16GA, 2" X 2" X 16GA OR 2" X 4" X 0.083"
- HANDRAILS STRUCTURE POSTS ARE MADE OF STRUCTURAL STEEL 2" X 3" X 1/8" RECTANGULAR SEAM WELDED AND ENGINEERED FOR PERFECT SUPPORT AND RIGIDITY WITH 6" X 8" X 1/4" AND 6" X 6" X 1/4" BASEPLATES.
- KICKPLATES ARE WELDED TO HANDRAIL SIDE FRAMES.
- ALL NECESSARY ASSEMBLY FASTNERS SHALL BE PROVIDED EXCEPT FOR ANCHORS.
- ALL PARTS ARE SECURITY YELLOW POWDER COATED FINISH EXCEPT FOR THE HANDRAILS BETWEEN SIDE FRAME AND THE 2 LOWER RAILS ON EACH GATE WHICH ARE ELECTRO-GALVANIZED.

